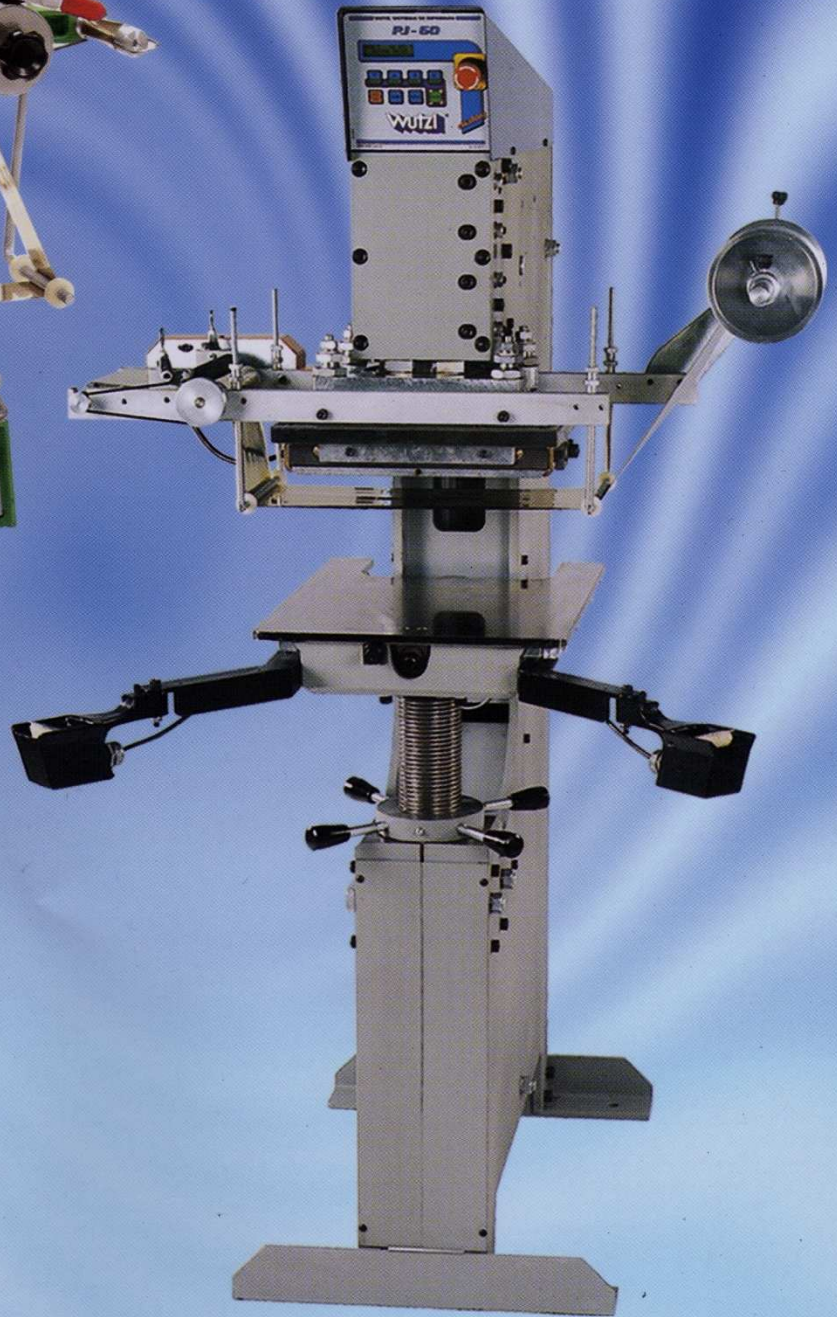


Hot-Stamping Presses

PJ-SERIES



WUTZI®
Printing Systems

Wutzl Printing Systems proudly presents the PJ series. These state-of-the-art Hot-Stamping presses are built to last. The machines have low air consumption or effort level (on manual models) when compared to direct cylinder machines, thanks to a force multiplier by means of a mechanical toggle. All PJ presses are supplied with a trade mark leveling system, feature that allows the compensation for the eventual lack of parallelism between the printing plate and the part that will be hot stamped. All machine models are prepared to be attached to automatic systems either those already installed in the customer plant or the ones supplied with the machine. All machines can be tailored with optional devices according to the customer needs as seen in some examples below.

MJ-6

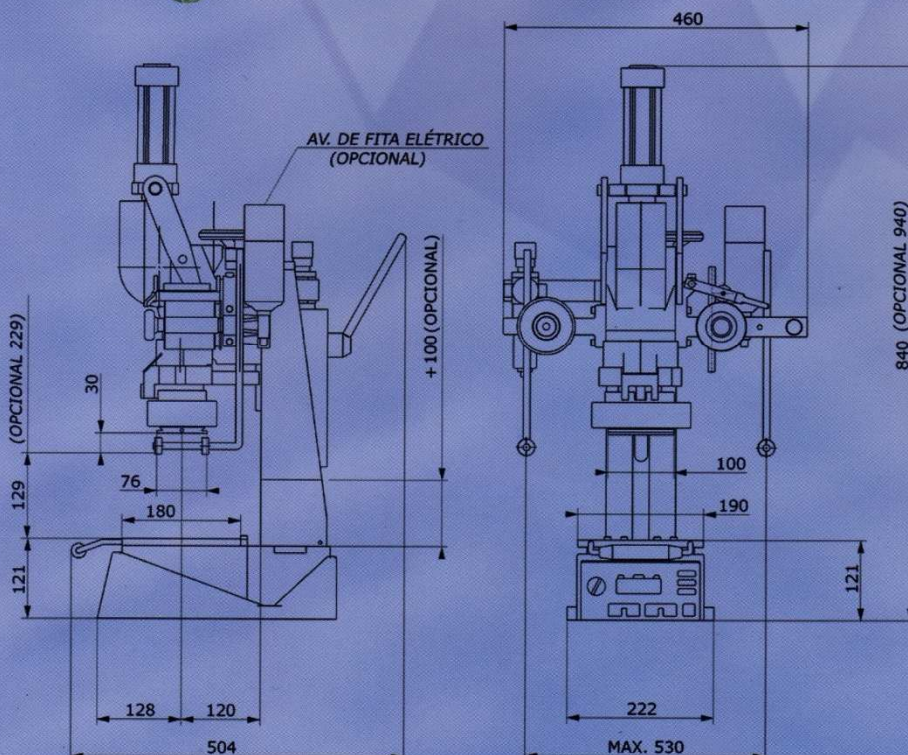
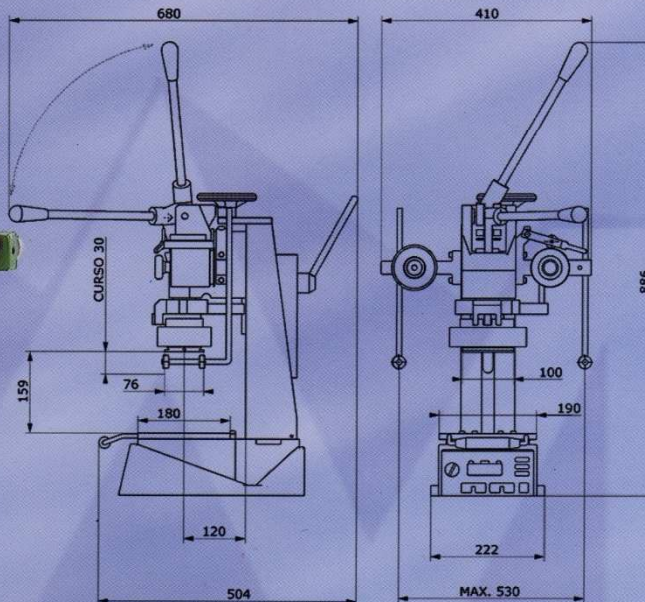
- These are bench top compact presses built in a modular and sturdy cast-iron system, which provides reliability and precision. The same machine is available in manual versions (MJ-6/ MJ-10). The control panel is embedded in the machine base and is fully plugged for easy maintenance.



EXAMPLES OF APPLICATIONS
Cosmetic packaging, vehicle emblems, household appliances, toys, promotional gifts, etc.



We offer a complete support service in the supply of clichés (steel, zinc, silicone, photopolymer), foil, fixtures, 3D clichés, specific projects, etc. We have an advisory team with the expertise of market leaders.

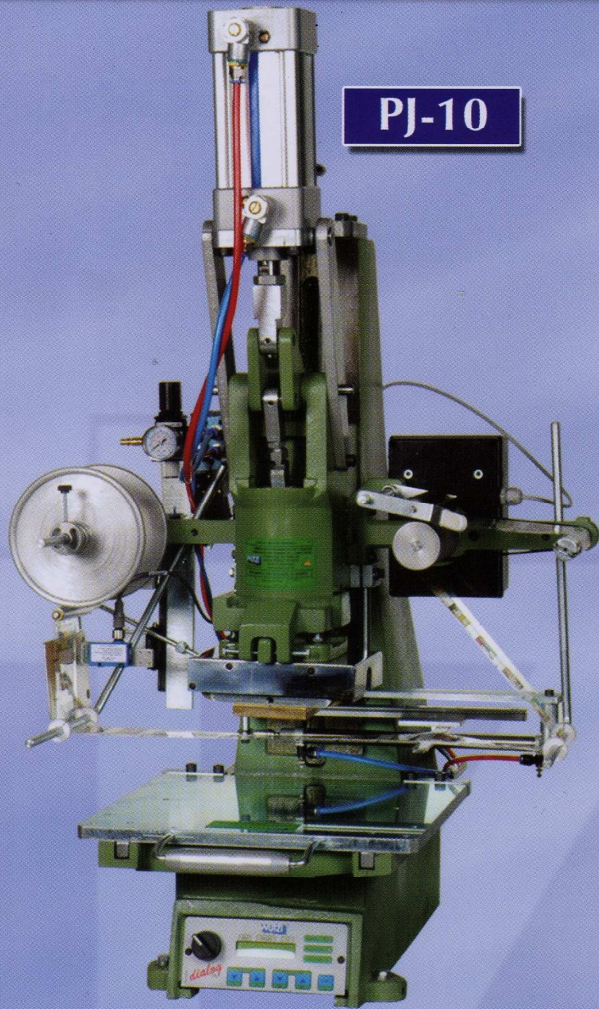


PJ-6

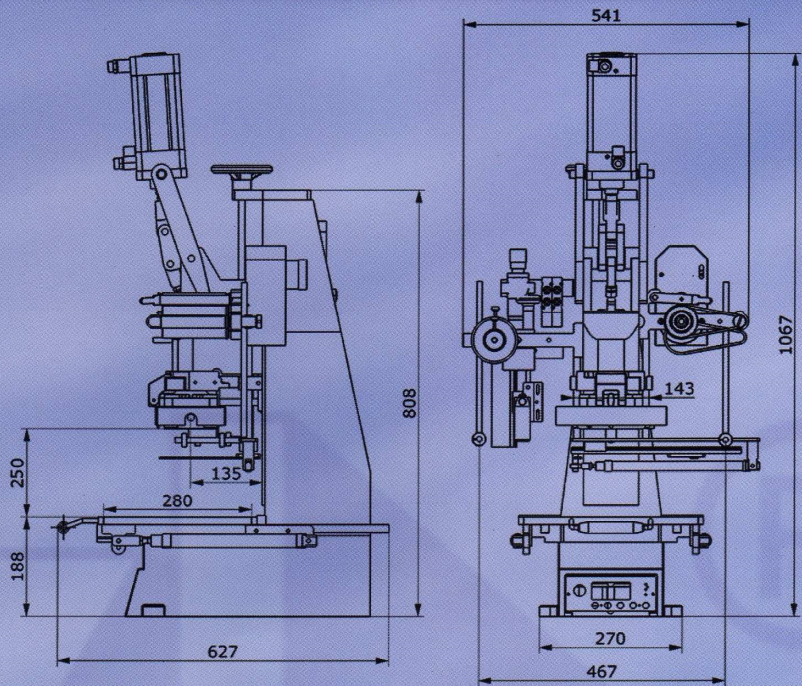


OPTIONS

- High temperature heads, recommended to wood and leather marking
- Extra security guards
- Pneumatic sliding table that eases the feeding of heavy parts – MDP
- Cylindrical parts handler (up to Ø60mm) – DC
- Automatic progressive numbering wheels for security seals -MDT
- Paper embossing with special clichés
- High precision electric foil advance - AFE
- Rotary table with two positions - SR
- Register eye system for heat-transfers - FT
- Pneumatic foil detacher ruler. - DT

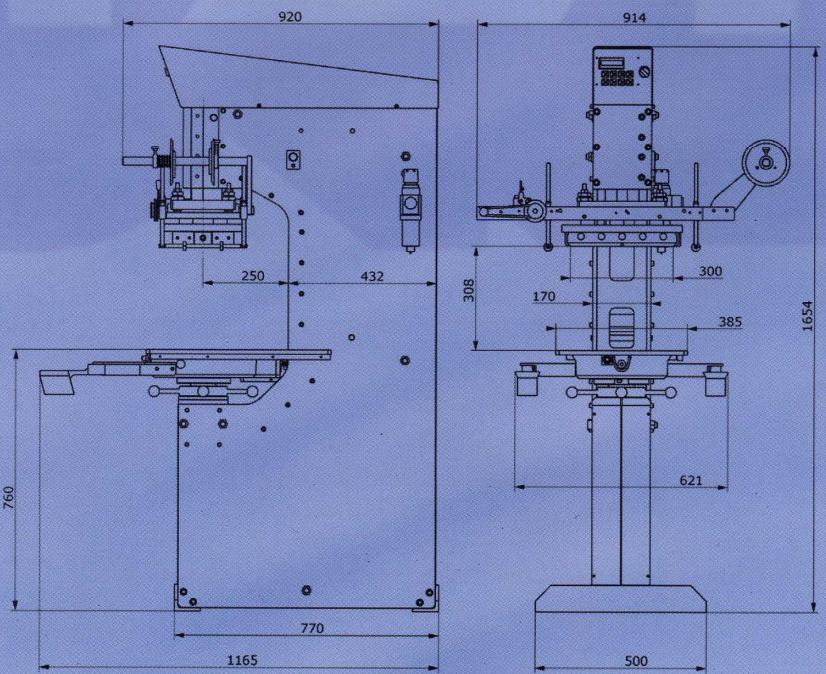
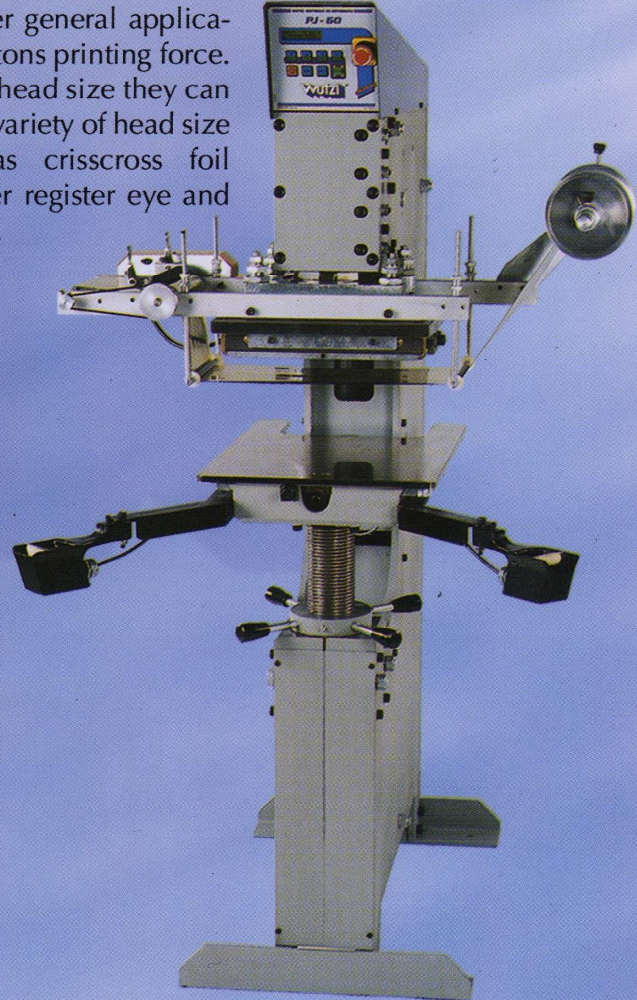


PJ-10



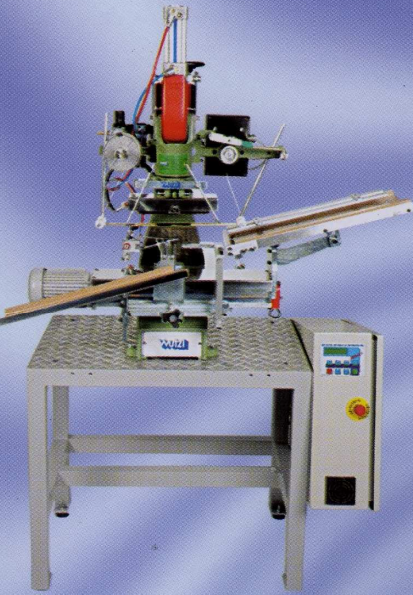
PJ-30/60/90/91

• These presses cover general applications from 30 to 150 tons printing force. Besides the standard head size they can be supplied in a rich variety of head size options, as well as crisscross foil advance, heat-transfer register eye and other special devices.



SPECIAL VERSIONS

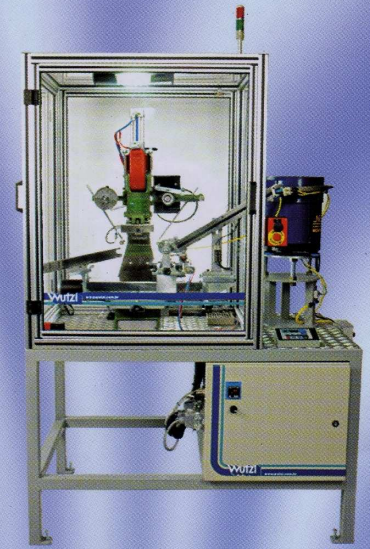
As said, the machines can be tailored to specific customer needs adding optional devices. The machines can also, in deeper change needs, be redesigned by our highly skilled design team for the case. The machines pictured below are ready solutions for common cases.



PJ-DC-100 is a pen (or other small cylindrical part) printer with semi-automatic operation.



TAC-7000 is a high production automatic pen printer. Depending on the size of the image and the product it can print up to 9.000 parts per hour.



PJ-DC100-ROL is an automatic version specific for numbered wheels.

FEATURES	MJ-6	PJ-6	PJ-10	PJ-30	PJ-60	PJ-90	PJ-91	PJ-150	PJ-DC-100
Head size	70x100 mm	70x100 mm	100x120 mm	180x300mm	180x300mm	255x305mm	255x305mm	300x450mm	70x100mm
Drive	Manual	Pneumatic	Pneumatic	Pneumatic	Pneumatic	Pneumatic	Pneumatic	Pneumatic	Pneumatic
Heating power	600W 220V 50/60Hz	600W 220V 60Hz	600W 220V 60Hz	2500W 220V 60Hz	2500W 220V 60Hz	2100W 220V 60Hz	2100W 220V 60Hz	2100W 220V 60Hz	600W 220V 60Hz
Air consumption	-	3,8 SCFM	6 SCFM	9 SCFM	9 SCFM	8 SCFM	9 SCFM	8 SCFM	3,8 SCFM
Maximal Height (part+fixture)	140mm	140mm	250mm	250mm	250mm	130mm	400mm	130mm	180mm
Maximal Center Border Distance	120mm	120mm	135mm	250mm	250mm	425mm	425mm	425mm	160mm
Vertical head stroke	30mm	30mm	35mm	50mm	50mm	70mm	70mm	50mm	30mm
Printing foil (max. Width)	70mm	70mm	100mm	180mm	180mm	250mm	250mm	300mm	70mm
Maximum printing force	600 kg/f	600 kg/f	1000 kg/f	3000 kg/f	6000 kg/f	10.000 kg/f	10.000 kg/f	15000 kg/f	600 kg/f
Machine weight	55 kg	60 kg	205 Kg.	360 Kg.	400 Kg.	580Kg.	580 Kg.	850Kg.	160 Kg.
Cycles / hour	Up to 1.200	Up to 2.000	1000	600	600	500	500	500	1500

WUTZL®
Printing Systems

WUTZL SISTEMAS DE IMPRESSÃO LTDA

Rua Silvestre Vasconcelos Calmon, 330
CEP 07020-001 - Guarulhos - SP - Brasil
Fone: 55 11 6475-4233 - Fax: 55 11 6440-4524
www.wutzl.com.br e-mail: wutzl@wutzl.com.br